

Maxi Assembly Instructions

PARTS LIST

A. Rails Brackets (198cm)

2x 

D. Rails Standard (198cm)

6x 

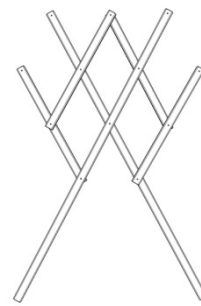
G. Rails Long (200cm)

2x 

H. Rails Hooks (198cm)

2x 

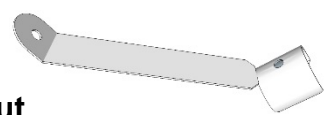
B. End Frame

2x 

C. Strap

2x 

E. Bracket

4x 

F. Nut

8x 

J. Washer

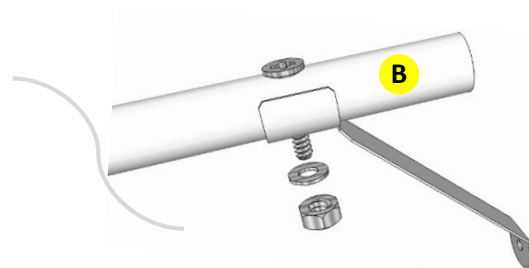
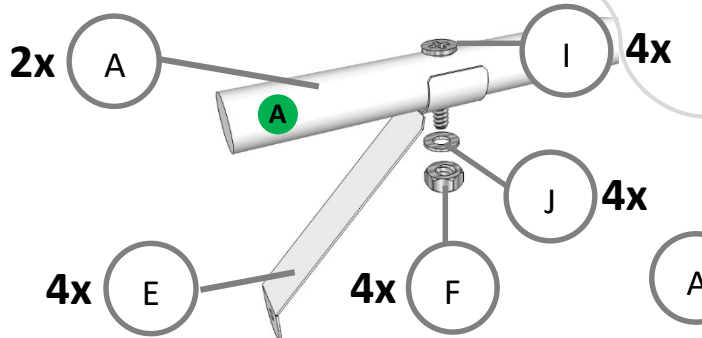
8x 

I. Bolt

8x 

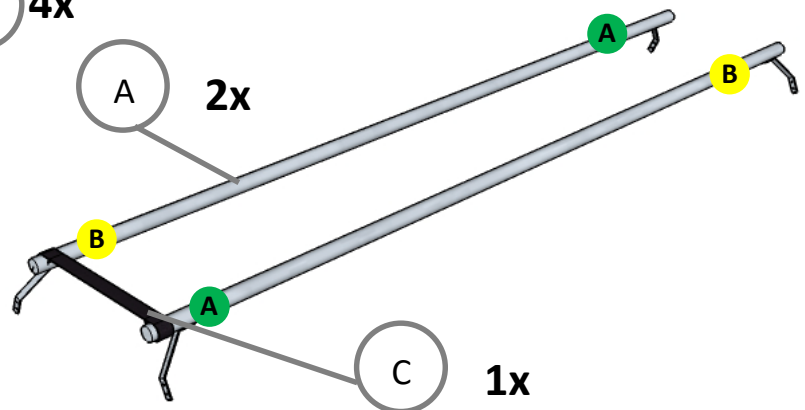
1

Attach the A. Rail Brackets to the E. Brackets using I. Bolt, F. Nut & J. Washer on both ends



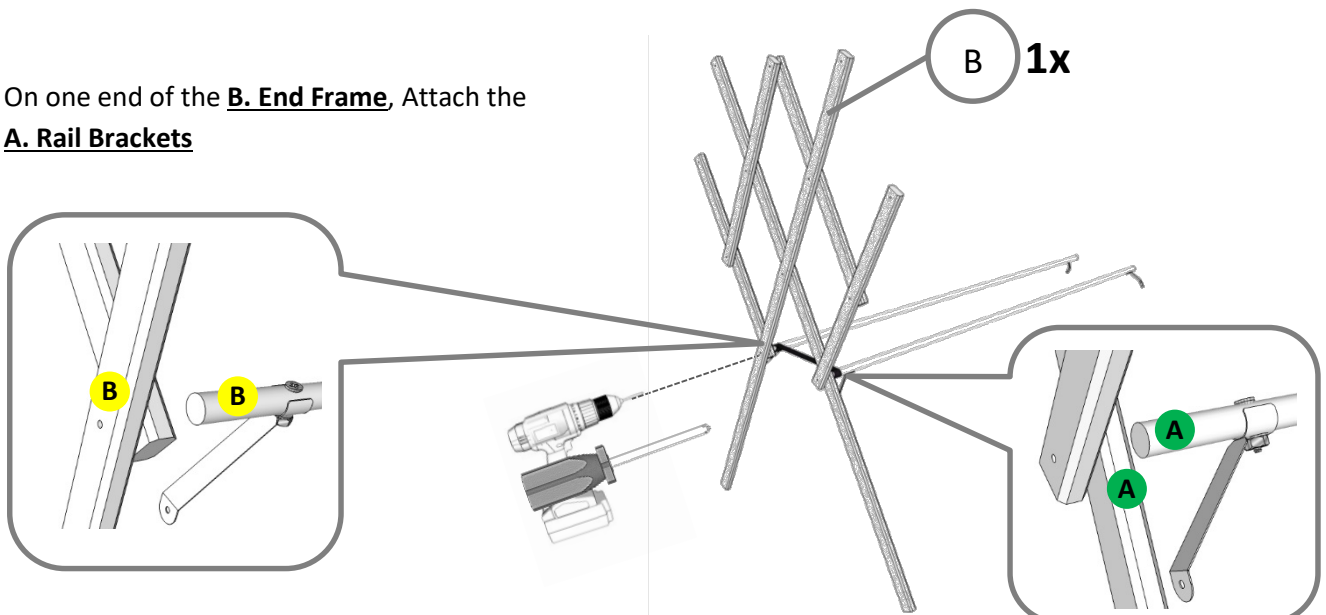
2

Align the two A. Rail Brackets so the different ends are opposite each other. Slide the C. Strap on to the ends of the A. Rail Brackets



3

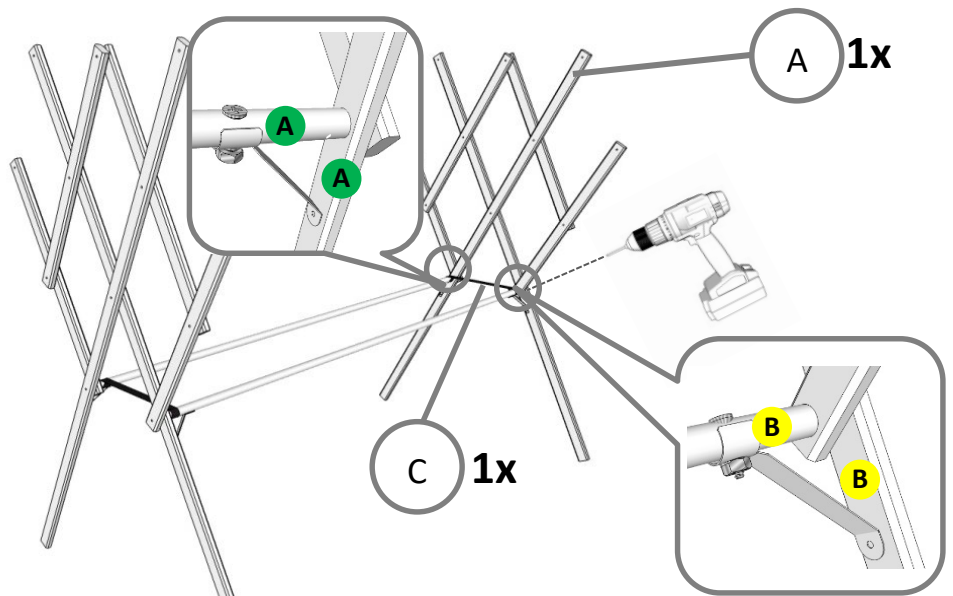
On one end of the B. End Frame, Attach the A. Rail Brackets



4

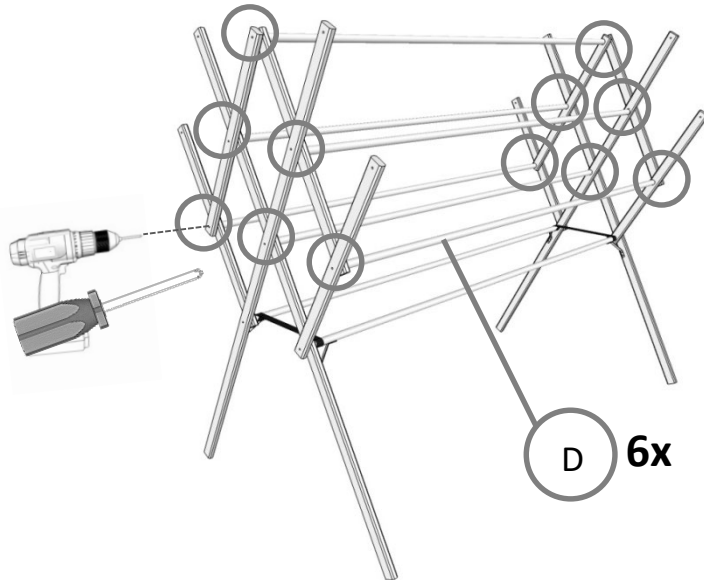
Slide the **C. Strap** on to the ends of the **A. Rail Brackets**

On the other end of the **A. Rail Brackets** attach the **B. End Frame**



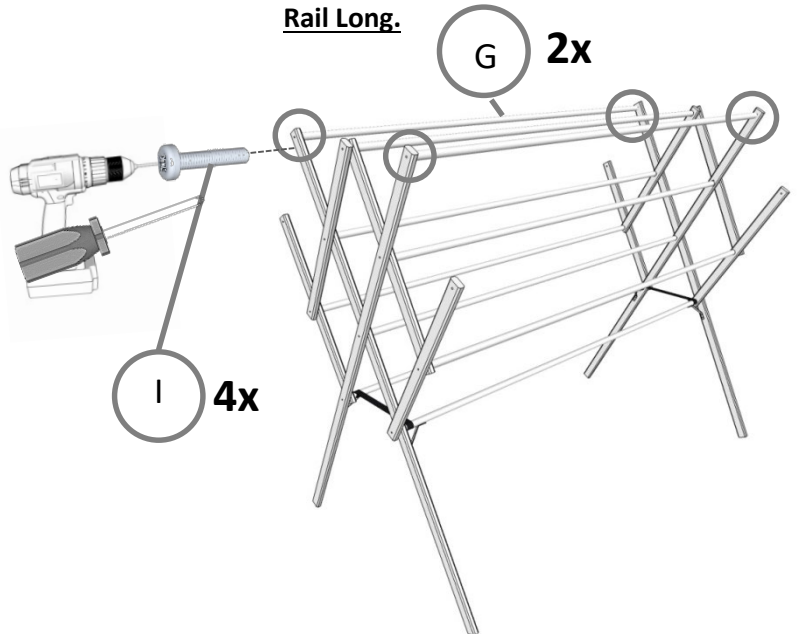
5

On one end of the **B. End Frame**, Attach the **D. Rail Standard**. Attach the other end. Repeat for remaining 5x **D. Rail Standard**.



6

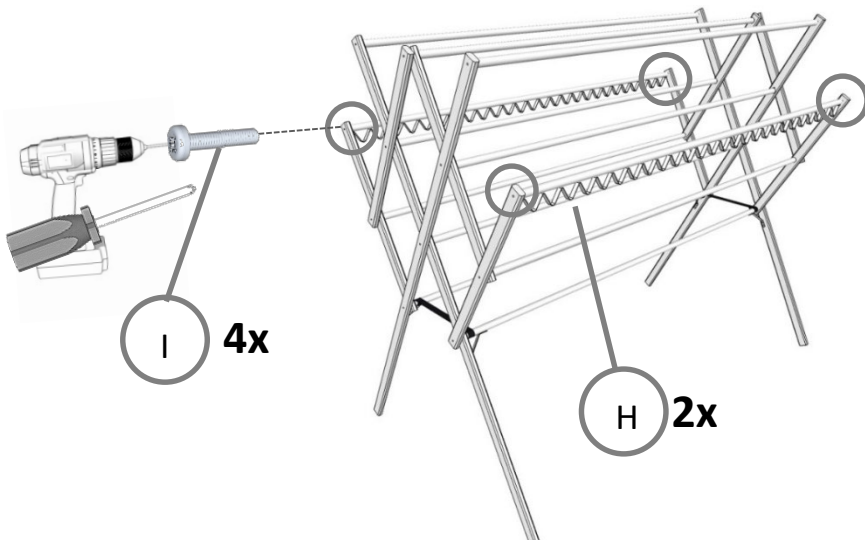
On one end of the **B. End Frame**, Attach the **G. Rail Long**. Attach the other end. Repeat for remaining 2x **G. Rail Long**.



7

On one end of the **B. End Frame**, attach the **H. Rail Hooks** using **I. Bolt**. Attach the other end.

Repeat for remaining 1x **H. Rail Hooks**.



8

Attach the **E. Bracket** to the **B. End Frame** using **I. Bolt**, **F. Nut** & **J. Washer**. Repeat for remaining 3x **E. Bracket**

